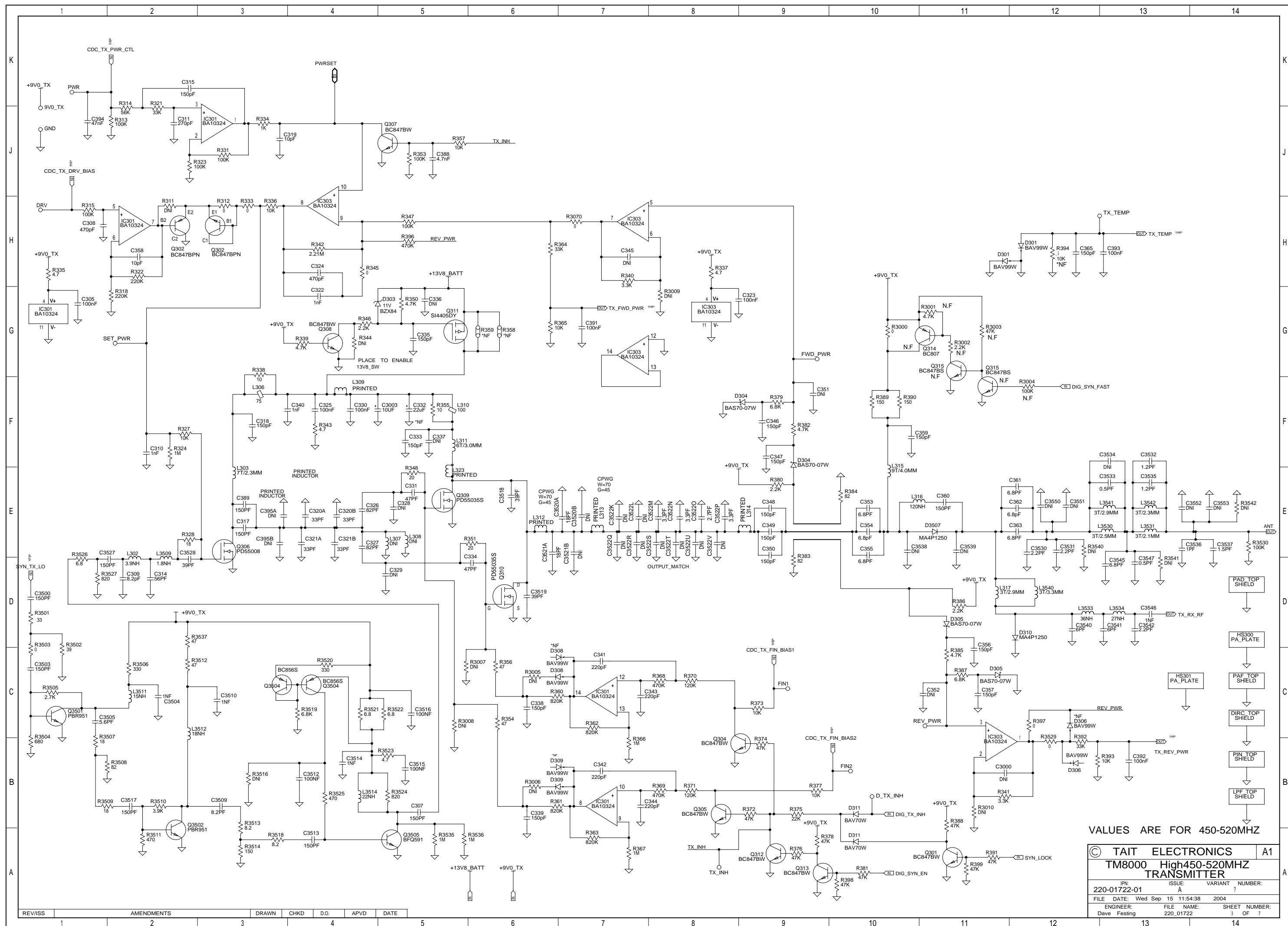


VALUES ARE FOR 450-520MHZ

© TAIT ELECTRONICS		A1
TM8000 High450-520MHZ CODEC		
IPN: 220-01722-01	ISSUE: A	VARIANT NUMBER: ?
FILE DATE: Tue Sep 07 10:39:35 2004		
ENGINEER: Dave Festing	FILE NAME: 220_01722	SHEET NUMBER: 2 OF 7

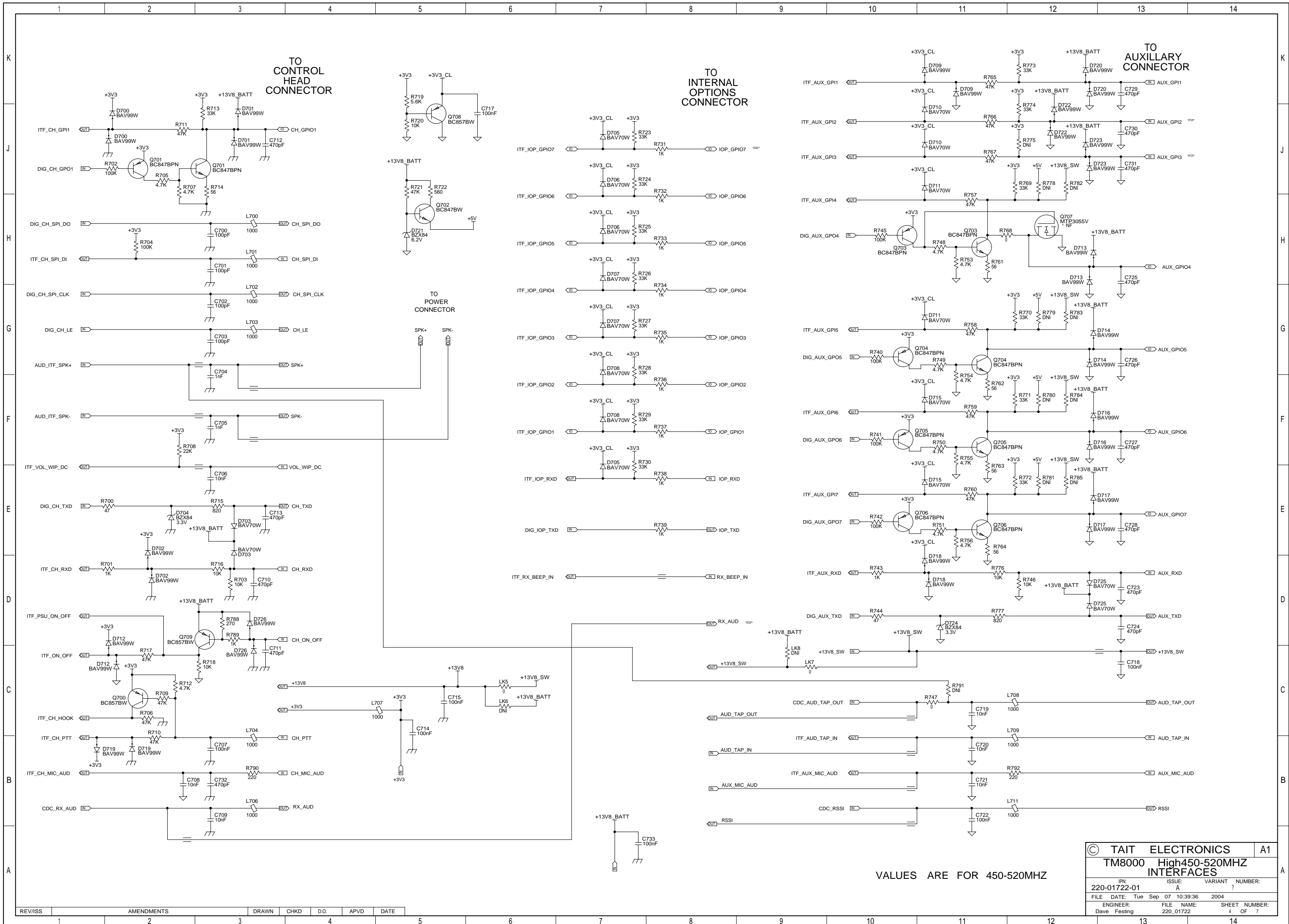
REV/ISS	AMENDMENTS	DRAWN	CHKD	D.O.	APVD	DATE
1						
2						
3						
4						
5						



VALUES ARE FOR 450-520MHZ

© TAIT ELECTRONICS		A1
TM8000 High450-520MHz TRANSMITTER		
IPN: 220-01722-01	ISSUE: A	VARIANT NUMBER: ?
FILE DATE: Wed Sep 15 11:54:38 2004	ENGINEER: Dave Festing	FILE NAME: 220_01722
		SHEET NUMBER: 3 OF 7

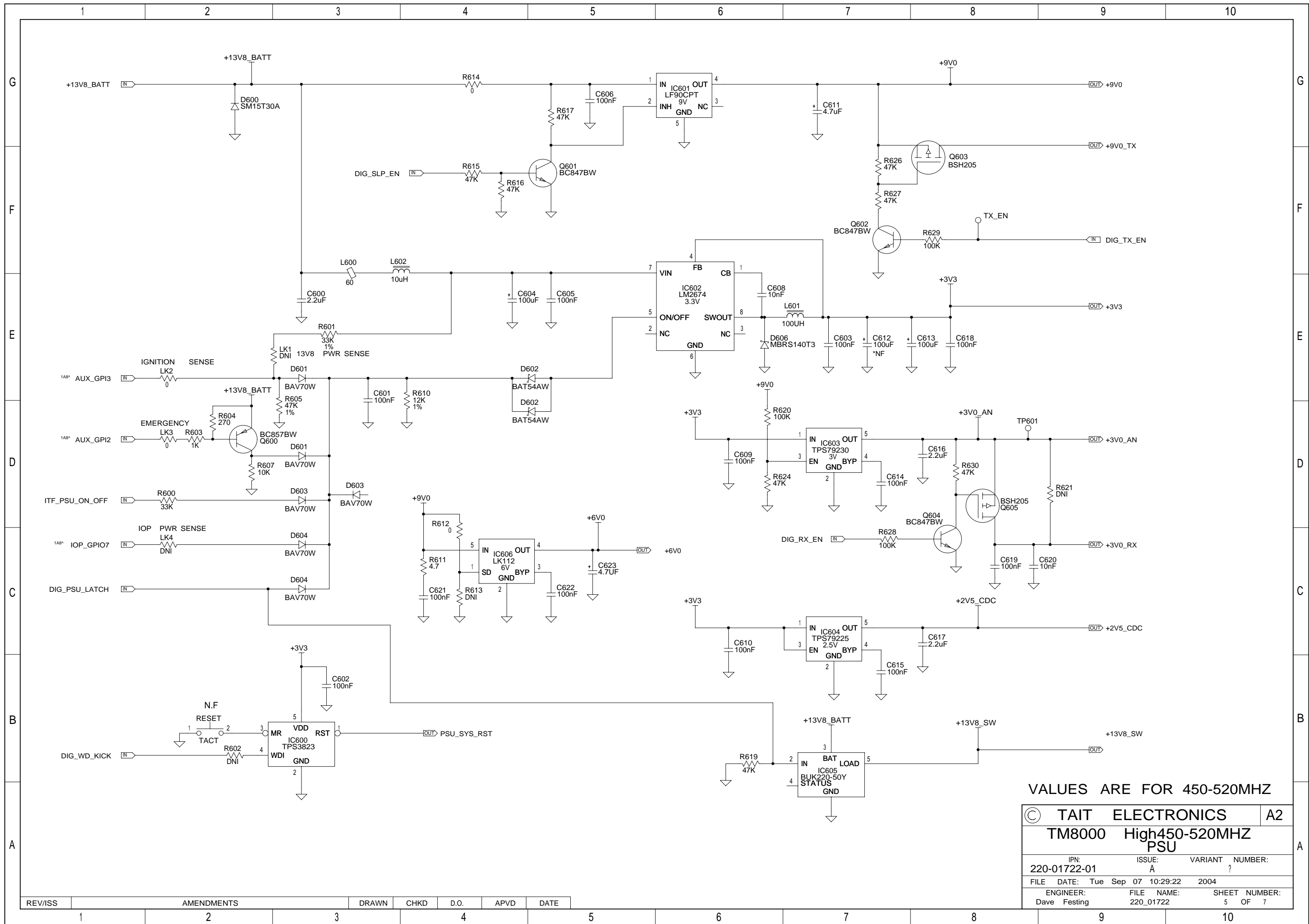
REV/ISS	AMENDMENTS	DRAWN	CHKD	D.O.	APVD	DATE



VALUES ARE FOR 450-520MHZ

© TAIT ELECTRONICS		A1
TM8000 High450-520MHZ INTERFACES		
IPN: 220-01722-01	ISSUE: A	VARIANT NUMBER: ?
FILE DATE: Tue Sep 07 10:39:36 2004	FILE NAME: 220_01722	SHEET NUMBER: 4 OF 7
ENGINEER: Dave Festing		

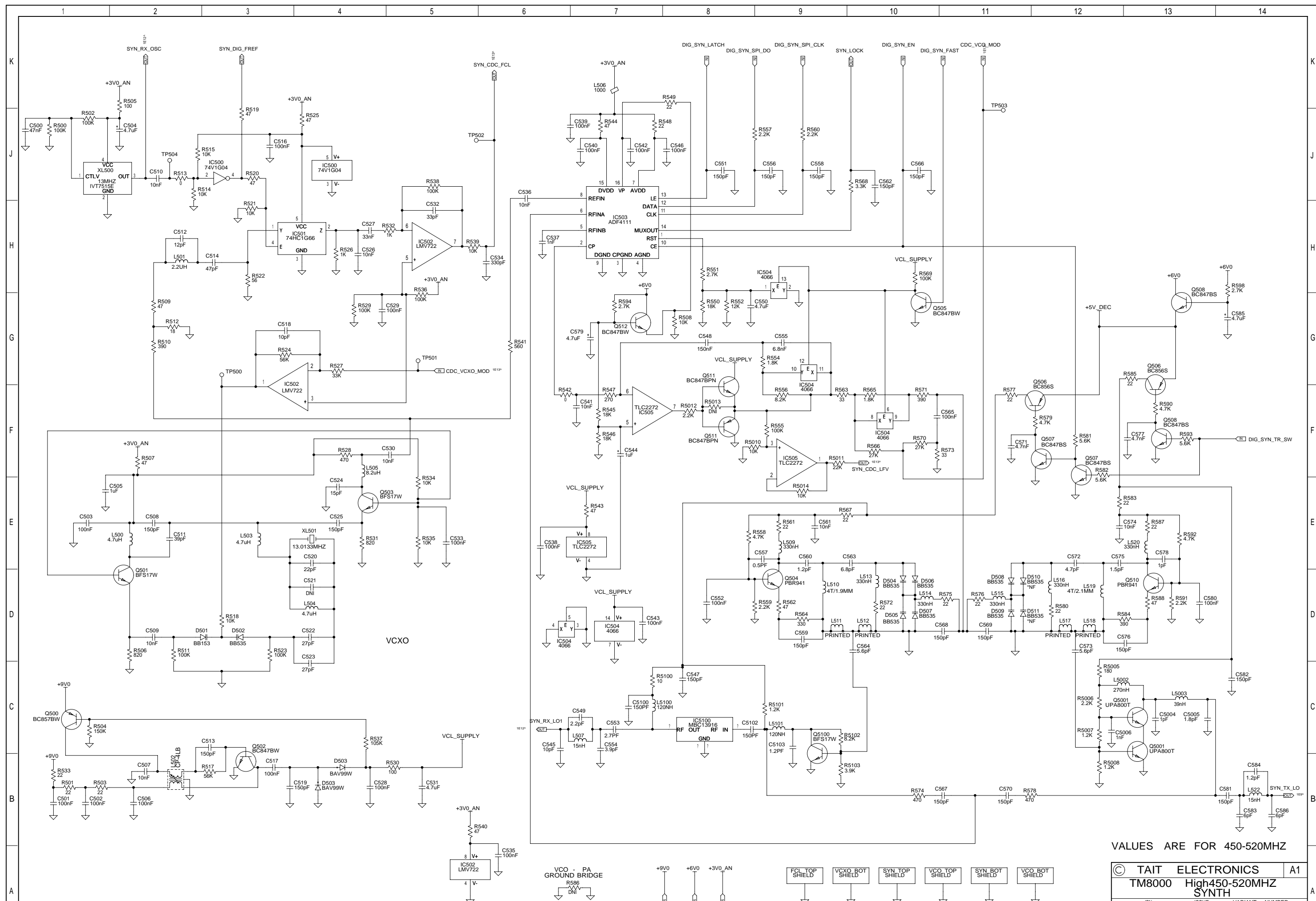
REV/ISS	AMENDMENTS	DRAWN	CHKD	D.O.	APVD	DATE
1						



VALUES ARE FOR 450-520MHZ

© TAIT ELECTRONICS		A2
TM8000 High450-520MHZ PSU		
IPN: 220-01722-01	ISSUE: A	VARIANT NUMBER: ?
FILE DATE: Tue Sep 07 10:29:22 2004		
ENGINEER: Dave Festing	FILE NAME: 220_01722	SHEET NUMBER: 5 OF 7

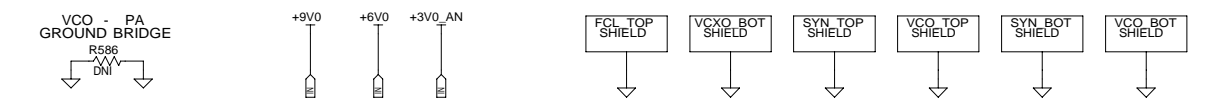
REV/ISS	AMENDMENTS	DRAWN	CHKD	D.O.	APVD	DATE
1						

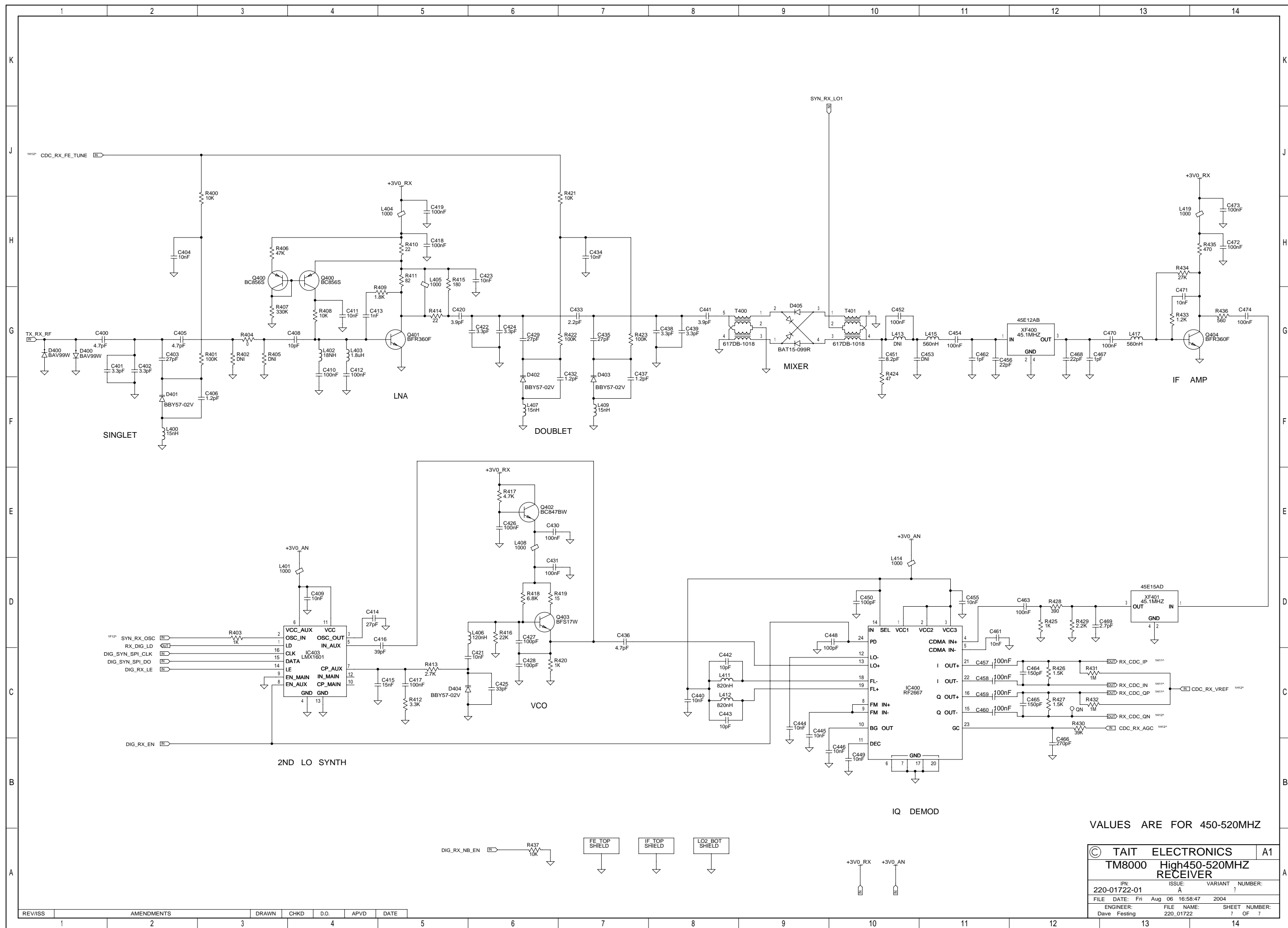


VALUES ARE FOR 450-520MHZ

© TAIT ELECTRONICS		A1
TM8000 High450-520MHZ SYNTH		
IPN: 220-01722-01	ISSUE: A	VARIANT NUMBER: ?
FILE DATE: Fri Sep 10 14:18:05 2004	ENGINEER: Dave Festing	FILE NAME: 220_01722
		SHEET NUMBER: 6 OF 7

REV/ISS	AMENDMENTS	DRAWN	CHKD	D.O.	APVD	DATE
1						





VALUES ARE FOR 450-520MHZ

© TAIT ELECTRONICS		A1
TM8000 High450-520MHz RECEIVER		
IPN: 220-01722-01	ISSUE: A	VARIANT NUMBER: ?
FILE DATE: Fri Aug 06 16:58:47 2004	ENGINEER: Dave Festing	FILE NAME: 220_01722
		SHEET NUMBER: 7 OF 7

REV/ISS	AMENDMENTS	DRAWN	CHKD	D.O.	APVD	DATE
1						





